



Model ALS200M2 Limit Switch Box Mechanical Switch

ALS200M2 High Performance Limit Switch Box

ALS200M2

The Allied model ALS200M2 is a reliable and compact position feedback device fitted with two mechanical SPDT switches rated for 5A service. The NEMA 4/4X enclosure is designed for weather-proof protection and corrosion resistance in demanding environments.

MODEL ALS200M2 DESIGN FEATURES

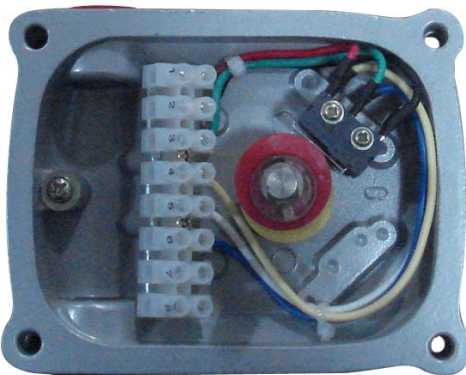
- ✓ NEMA 4/4X (IP67) enclosure to satisfy outdoor protection
- ✓ "Quick-Set" cam is spring loaded and requires no special tools for calibration
- ✓ Dual ½" NPT conduit entries facilitate wiring in the field and for additional ancillary pilot valve connections
- ✓ Captive cover bolts remain intact during wiring to prevent loss
- ✓ Stainless Steel trim and mounting hardware
- ✓ Rugged and Compact design



ALS200M2 LIMIT SWITCH BOX MOUNTED ON ACTUATOR



INSIDE VIEW:



MATERIALS & SPECIFICATIONS

Enclosure	Die-casting aluminum: O-ring sealed NEMA 4/4X (IP67)
Temperature	-25 °C to 85 °C
Conduit Entry	Two ½" BSPP, Also available with two ½" NPT, M20-1.5
Terminal Strip	8 points
Position Indicator	2-color OPEN-Yellow/CLOSED-Red
External Coating	Polyester Powder Coating
Shaft	Stainless steel Namur

SWITCH SPECIFICATIONS

Type	Mechanical SPDT
Switch Quantity	2
Electrical Rating	Max: 5A 125-250 VAC



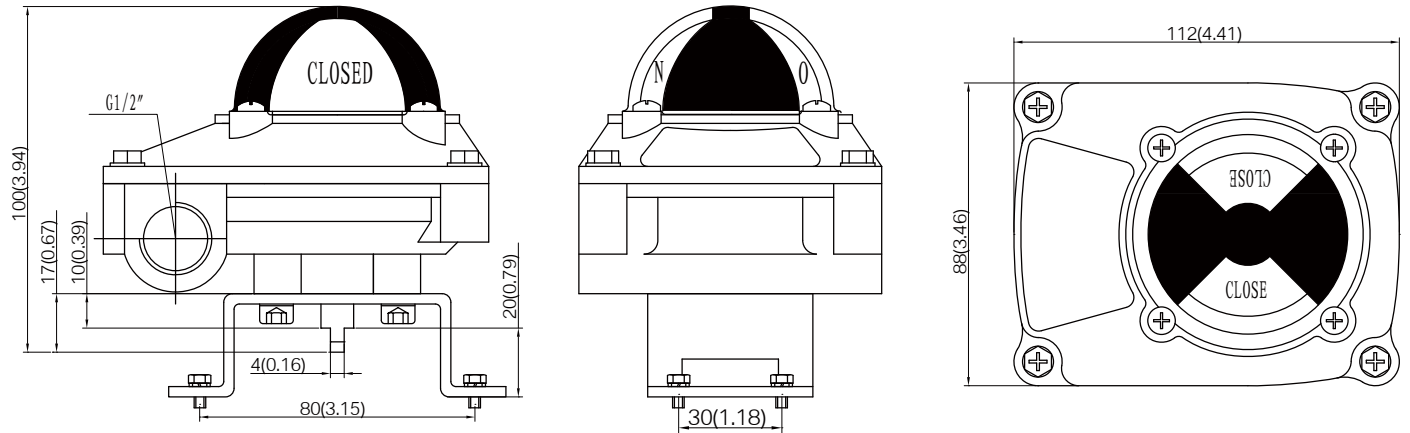
Model ALS200M2 Limit Switch Box Mechanical Switch

ALS200M2 High Performance Limit Switch Box

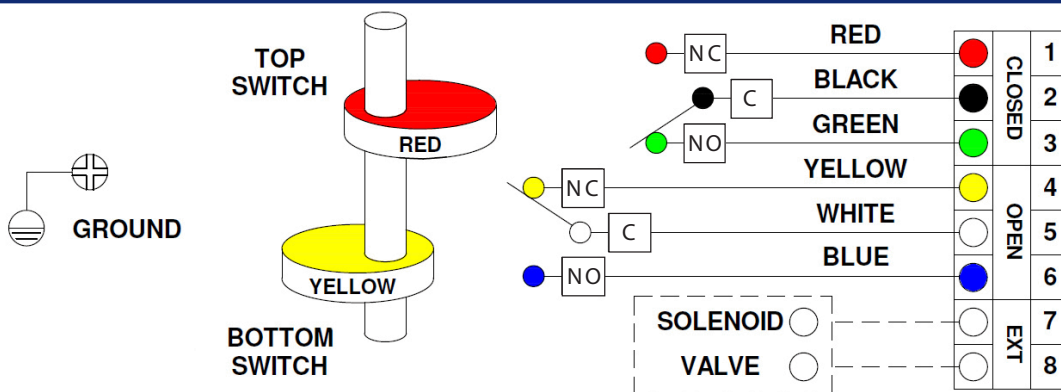
ALS200M2

ALS200M2 DIMENSIONS

Dimensions shown in mm and (inches)



MODEL ALS200M2 WIRING DIAGRAM



HOW TO ORDER MODEL ALS200M2 LIMIT SWITCH BOX

PART NUMBER	DISCRIPTION
ALS200M2	NAMUR-mount limit switch box with two mechanical SPDT switches in a NEMA 4/4X (IP67) enclosure, 8-point terminal strip and high visibility visual indicator for Open/Closed positions.